



# Specification Sheet HydroVortex™

## Key Features

- Wellbore Orientation Vertical or Horizontal
- Minimal Pumping Capacity Required 3bbls
- Effective in Partial or Total Lost Circulation Environments

## General Tool Specifications

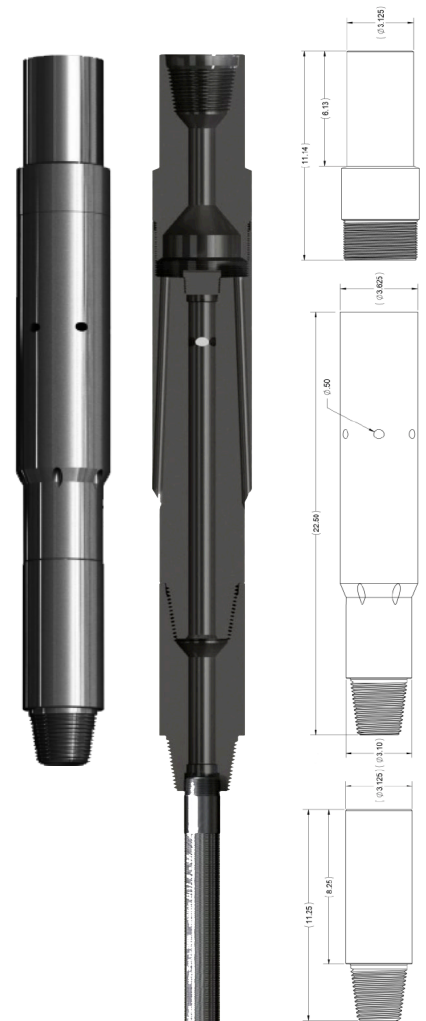
Tool OD	3-5/8"
Borehole Size Range OD	4-1/2"-7"
Length of Tool	22.5"
Weight of Tool	40"
Length of Tool including Adapters	90lbs
Weight of Tool Assembly, including Adapters	2 3/8"
Tool Connection, Top Sub Upper	Overshot
Tool, Upper (Box)	Overshot
Tool, Lower (Pin)	2-3/8"
X-Over Adapter OD	3-1/8"
X-Over Adapter, Upper (Box)	2-3/8"
X-Over Adapter, Lower (Pin)	2-7/8"
X-Over Adapter, Lower, Screen Thread	1"

## Operational Parameters

Optimal Flow Rate	4.5-5 bbl/minute
Collection Chamber, Pipe Size	multiple sizes
Collection Chamber, Number of Joints	20
Maximum Make-Up Torque, ft lbs	1,800 ft lbs
Maximum Tensile Yield, lbs	1,800 ft lbs

## Key Features

Activation	Flow Only or Ball Drop
Wellbore Orientation	Vertical or Horizontal
*Effective in Partial or Total Lost Circulation Environments	





# Specification Sheet

## HydroVortex™

### Key Features

- Wellbore Orientation Vertical or Horizontal
- Minimal Pumping Capacity Required 3bbls
- Effective in Partial or Total Lost Circulation Environments

### General Tool Specifications

Tool OD	3-5/8"
Borehole Size Range OD	4-1/2"-7"
Length of Tool	22.5"
Weight of Tool	40"
Length of Tool including Adapters	90lbs
Weight of Tool Assembly, including Adapters	2 3/8"
Tool Connection, Top Sub Upper Tool, Upper (Box)	Overshot
Tool, Lower (Pin)	Overshot
X-Over Adapter OD	2-3/8"
X-Over Adapter, Upper (Box)	3-1/8"
X-Over Adapter, Lower (Pin)	2-3/8"
X-Over Adapter, Lower, Screen Thread	2-7/8"
	1"

### Operational Parameters

Optimal Flow Rate	4.5-5 bbl/minute
Collection Chamber, Pipe Size	multiple sizes
Collection Chamber, Number of Joints	20
Maximum Make-Up Torque, ft lbs	1,800 ft lbs
Maximum Tensile Yield, lbs	1,800 ft lbs

### Key Features

Activation	Flow Only or Ball Drop
Wellbore Orientation	Vertical or Horizontal
*Effective in Partial or Total Lost Circulation Environments	

